

NO-AUTOTEST EMERGENCY LIGHTING LEDLUX2 CINEMA



Surface Mounted (all "-P" versions)
Prisadená verzia (všetky "-P" verzie)



Recessed Mounted (all "-V" versions)
Zapustená montáž do stropu (všetky "-V" verzie)



- Modern design orientated **surface mounted LED** non-maintained/maintained (NM/M) emergency lighting with smooth legend illumination especially designed for cinema / theatre applications.
- **AUTOTEST** function is deactivated to avoid testing (LED ON) during the movie or theatre performance
- Legend luminance >200cd/m² (white), dimmable (page 165)
- Conforming to the requirement of EN60598-2-22, EN1838, EN62034
- Design: metal sheet body with PE powder coat finish matt RAL9005 (black)
- Elegánntné stropné LED svietidlá pre **netrvalé/trvalé (NM/M)** núdzové osvetlenie s perfektnou rovnomernosťou osvetlenia piktogramu **navrhnuté špeciálne pre použitie v kinách a divadlách**
- **AUTOTEST** funkcia je deaktivovaná, aby sa zamedžilo nežiadúcemu rozsvieteniu LED počas predstavenia
- spĺňa požiadavky európskej normy EN 60598-2-22, EN1838, EN62034
- Jas piktogramu >200cd/m² (white), nastaviteľné (pozri str.165)
- konštrukcia: teleso z oceľového plechu vo farbe RAL9005 (čierna matná)

STANDARD FEATURES

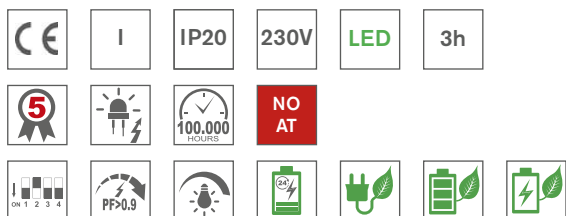
STANDARDNÁ VÝBAVA

- **High efficient MidPower LED (170lm/W, 5000K) LONGLIFE LEDs (>100.000h)**
- **NEW Advanced Electronics**
- **LONGLIFE LiFePo4 battery**
- **Installation Mode** (battery protection, for more details look up page No.28)
- **Intelligent battery charging**
- **DIP Switch** allowing to preset following functions:
 - **ECO Mode** (dimming 10%-100%, for more details look up page No.165)
- LEDs indicating presence of power supply and signaling failures & TEST button
- **vysoce účinné MidPower LED (170lm/W, 5000K) so životnosťou min.100000h**
- **progresívna elektronická jednotka**
- **LONGLIFE LiFePo4 batéria**
- **Inštalčný mód** (ochrana batérie, pozri aj str.28)
- **Inteligentné nabíjanie batérie**
- **DIP prepínač** umožňujúci prednastavenie funkcií:
 - **ECO Mód** (stmievanie 10%-100%, pozri aj str.165)
- signalizácia LED a TEST tlačítko

OPTIONAL ACCESSORIES

PRÍPLATKY

- **Special suspended plexi with layered design for perfect uniform illumination of legend - must be ordered as a separate item (look up also page No.163)**
- Wall or ceiling mounting brackets (look up also page No.164)
- Wire rope suspension set (look up also page No.164)
- **špeciálne vrstvené závesné plexi pre rovnomerné osvetlenie piktogramu na jeho celej ploche (plexi musí byť objednané samostatne podľa želaného piktogramu- pozri aj str.163)**
- nástenná, stropná alebo stropná závesná konzola (pozri aj str.164)
- lanková závesná sada (pozri aj str.164)



- Input Power:**
- 5,6W/ 6,1VA (maintained M/1h)
 - 2,6W/ 4,4VA (non-maintained NM)
 - 3,0W/ 5,1VA (CBS)

Parallel wall mounting bracket
Konzola rovnobežne so stenou



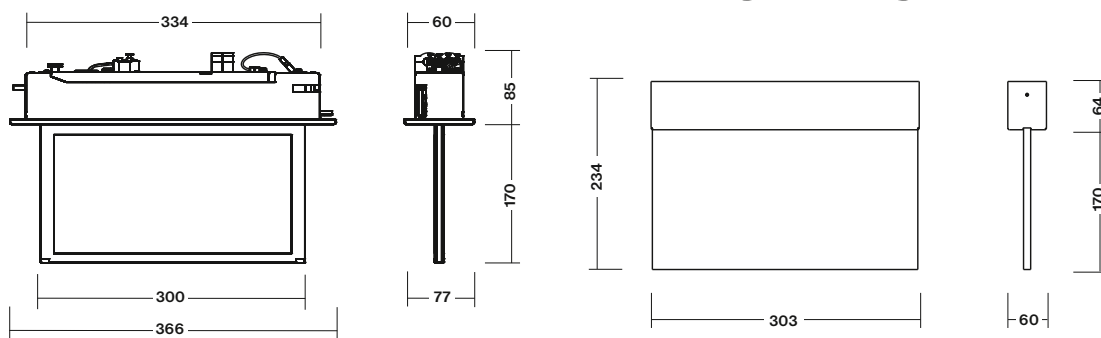
RAL9005

Upright wall mounting bracket
Konzola kolmo na stenu



RAL9005

Recessed mounting hole size: 340 x 65 mm
Rozmer montážneho otvoru : 340 x 65 mm



NO-AUTOTEST EMERGENCY LIGHTING LEDLUX2 CINEMA

Surface Mounting **NO-AUTOTEST NM/M**

| Type | Version | Colour | Light Source | Duration | Battery | Order Code | Weight |
|-----------------------------|---------------------------|----------------|---------------|----------|--------------------|--------------------|--------|
| MULTILED2-P.3h NO-AT | Only Body, No Plexi incl. | Black / čierna | MidPower LEDs | 3h | LiFePo4 6,4V/1,0Ah | 309-B-018-04-00-03 | 1,2 kg |

Recessed Mounting **NO-AUTOTEST NM/M**

| Type | Version | Colour | Light Source | Duration | Battery | Order Code | Weight |
|-----------------------------|---------------------------|----------------|---------------|----------|--------------------|--------------------|--------|
| MULTILED2-V.3h NO-AT | Only Body, No Plexi incl. | Black / čierna | MidPower LEDs | 3h | LiFePo4 6,4V/1,0Ah | 309-B-118-04-00-03 | 1,2 kg |

Suspended Plexi / závesné plexi s piktogramom

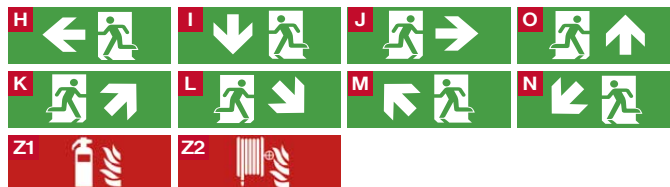


• It is not included in standard package. It must be ordered as separate item !

- Viewing Distance: 30m
- Complying ISO7010
- Legend luminance >500cd/m² (white)

• nie je súčasťou štandardného balenia svetidla, musí byť objednané ako samostatná položka !

- rozoznatelnosť piktogramu: 30m
- v súlade s ISO7010
- jas piktogramu >500cd/m² (biela)



Suspended plexi Accessory

| Optional Item | Order Code |
|------------------------------------|--------------------|
| Double sided plexi with legend H/J | 309-B-000-00-00-01 |
| Double sided plexi with legend I | 309-B-000-00-00-02 |
| Single sided plexi with legend H | 309-B-000-00-00-03 |
| Single sided plexi with legend I | 309-B-000-00-00-04 |
| Single sided plexi with legend J | 309-B-000-00-00-05 |
| Double sided plexi with legend K/M | 309-B-000-00-00-06 |
| Double sided plexi with legend L/N | 309-B-000-00-00-07 |
| Single sided plexi with legend K | 309-B-000-00-00-08 |
| Single sided plexi with legend L | 309-B-000-00-00-09 |
| Single sided plexi with legend M | 309-B-000-00-00-10 |
| Single sided plexi with legend N | 309-B-000-00-00-11 |
| Single sided plexi with legend O | 309-B-000-00-00-12 |
| Double sided plexi with legend O | 309-B-000-00-00-13 |
| Double sided plexi with legend Z1 | 309-B-000-00-00-27 |
| Double sided plexi with legend Z2 | 309-B-000-00-00-28 |

Závesné plexi s piktogramom

| Priplatok | Objednávaci kód |
|-------------------------------------|--------------------|
| Obojstranné plexi s piktogramom H/J | 309-B-000-00-00-01 |
| Obojstranné plexi s piktogramom I | 309-B-000-00-00-02 |
| Jednostranné plexi s piktogramom H | 309-B-000-00-00-03 |
| Jednostranné plexi s piktogramom I | 309-B-000-00-00-04 |
| Jednostranné plexi s piktogramom J | 309-B-000-00-00-05 |
| Obojstranné plexi s piktogramom K/M | 309-B-000-00-00-06 |
| Obojstranné plexi s piktogramom L/N | 309-B-000-00-00-07 |
| Jednostranné plexi s piktogramom K | 309-B-000-00-00-08 |
| Jednostranné plexi s piktogramom L | 309-B-000-00-00-09 |
| Jednostranné plexi s piktogramom M | 309-B-000-00-00-10 |
| Jednostranné plexi s piktogramom N | 309-B-000-00-00-11 |
| Jednostranné plexi s piktogramom O | 309-B-000-00-00-12 |
| Obojstranné plexi s piktogramom O | 309-B-000-00-00-13 |
| Obojstranné plexi s piktogramom Z1 | 309-B-000-00-00-27 |
| Obojstranné plexi s piktogramom Z2 | 309-B-000-00-00-28 |

**Optional Accessories:**

- Wall brackets
- Wire rope suspension set

Priplatky:

- nástenné konzoly
- lankový záves

Parallel wall mounting bracket
Konzola rovnobežne so stenou



RAL9005

Upright wall mounting bracket
Konzola kolmo na stenu



RAL9005

Optional Item / Priplatky**Order Code**

Parallel wall mounting bracket in black RAL9005 colour / nástenná konzola rovnobežne so stenou v čiernej RAL9005

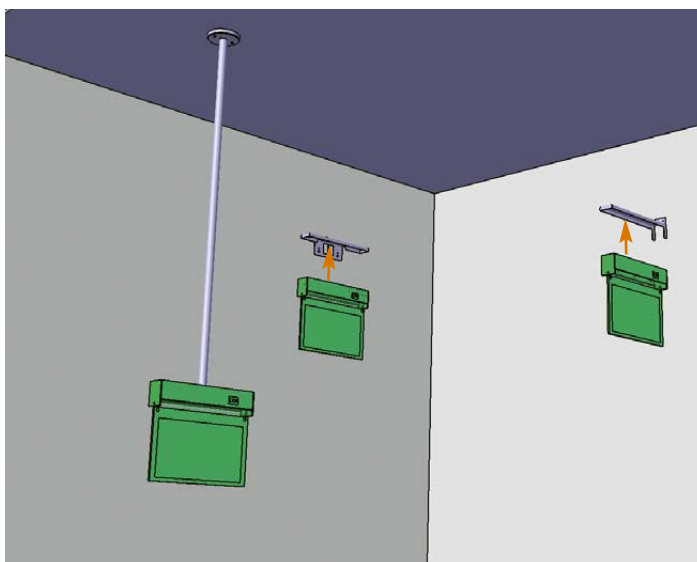
309-B-000-01-01-03

Upright wall mounting bracket in black RAL9005 colour / konzola kolmo na stenu v čiernej RAL9005

309-B-000-03-01-03

Wire rope suspension set 1,0m long in black RAL9005 colour / lanková závesná sada 1,0m dlhá v čiernej RAL9005 farbe

85-B-05-13-02



ENERGY SAVING
ECO MODE
SET UP

2/200
cd/m²

M /
NM

DIP SWITCH FEATURES No.1 DIP PREPÍNAČ č.1- FUNKCIE

| | | |
|--|--|---|
| <p>NORMAL MODE 230V MAINS</p> | <p>EMERGENCY MODE BATTERY</p> | <p>ESCAPE SIGN Brightness in 230V OFF = 100% BRIGHTNESS > 200cd/m²</p> <p>ON OFF <input type="checkbox"/> <input type="checkbox"/> <input type="checkbox"/> <input type="checkbox"/> 1 2 3 4</p> |
| | | <p>ECO MODE 10% (in 230V Mode) ON = 10% BRIGHTNESS > 2cd/m²</p> <p>ON OFF <input type="checkbox"/> <input type="checkbox"/> <input type="checkbox"/> <input type="checkbox"/> 1 2 3 4</p> |

DIP SWITCH FEATURES No.2-4 DIP PREPÍNAČ č.2-4 - FUNKCIE

| | |
|--|--|
| <p>INSTALLATION MODE SET UP</p> | <p>ON OFF <input type="checkbox"/> <input type="checkbox"/> <input type="checkbox"/> <input type="checkbox"/> 1 2 3 4</p> <p>DEFAULT SETTING / PREDNASTAVENÉ OFF - ACTIVATED ON - DEACTIVATED</p> |
| <p>M / NM</p> <p>NON-MAINTAINED / MAINTAINED MODE SET UP</p> | <p>ON OFF <input type="checkbox"/> <input type="checkbox"/> <input type="checkbox"/> <input type="checkbox"/> 1 2 3 4</p> <p>DEFAULT SETTING / PREDNASTAVENÉ ON - MAINTAINED OFF - NON-MAINTAINED</p> |

TO SEE THE CHANGE PUSH EITHER TEST BUTTON OR DISCONNECT THE FIXTURE FROM BOTH THE MAINS 230V AND BATTERY
Po prestavení stlačte TEST alebo odpojte batériu a 230V napájanie na aktiváciu zmeny

