

HIGH CEILING ANTIPANIC LIGHTING
LEDLUX-SPOT2-HCB



HIGH CEILING ANTIPANIC LIGHTING LEDLUX-SPOT2-HCB

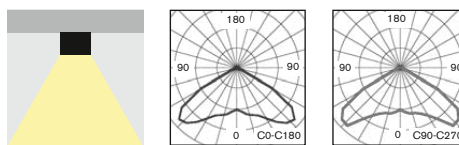
**FOR HIGH CEILING >4m
PRE VYSOKÉ STROPY >4m**



HIGH CEILING >4m



HIGH CEILING >4m



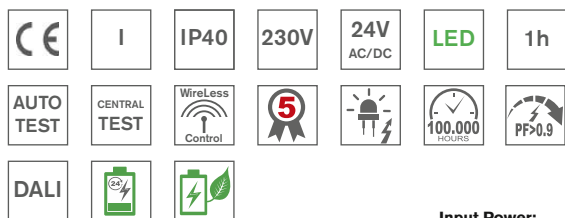
• POWERFULL surface mounted anti-panic LED fixture available for all non-maintained (NM), maintained (M) or centralised (C) emergency lighting especially designed for **HIGH CEILING OPEN AREA** applications in accordance with EN1838
It is available in all following versions:

- **AUTOTEST** (-AT)
- **DALI**
- **CENTRALTEST** (-ATXL) for **ELMAX LOOK** system (look up also page No.22)
- **CENTRALTEST** (-ATRF) for **ELMAX Wireless** system (look up page No.24)
- **CENTRAL BATTERY** (C.LEDLUX-SPOT2) for **non-addressable CBS**
- Conforming to the requirement of EN60598-2-22, EN1838, EN62034
- Design: metal sheet body with PE powder coat finish RAL9006 (grey) or RAL9003 (white)
- výkonné anti-panic LED svietidlá pre **netrvalé (NM), trvalé (M)** alebo **centrálne (C)** núdzové osvetlenie pre povrchovú montáž **špeciálne navrhnuté pre aplikácie VO VEĽKÝCH VÝŠKACH** ako napr. výrobné haly, športové haly, sklady,... aj s funkciami:
 - **AUTOTEST** (-AT)
 - **DALI**
 - **CENTRALTEST** (-ATXL) pre systém ELMAX LOOK (pozri str.22)
 - **bezdrôtový CENTRALTEST** (-ATRF) pre ELMAX-Wireless systém (str.24)
 - **CENTRAL BATTERY** (C.LEDLUX-SPOT2) pre **neadresovateľné CBS**
- spĺňa požiadavky európskej normy EN 60598-2-22, EN1838, EN62034
- konštrukcia: teleso z plechu vo farbe RAL9006 (šedá) alebo RAL9003 (biela)

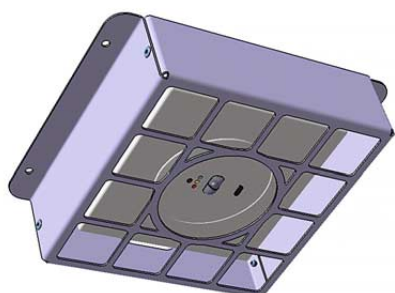
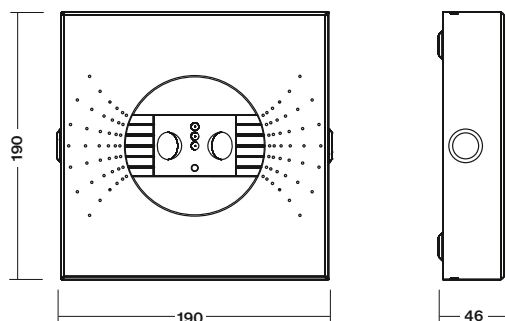
STANDARD FEATURES

ŠTANDARDNÁ VÝBAVA

- High efficient HighPower (170lm/W) **LONGLIFE LEDs (>100.000h)**
- **NEW Advanced Electronics**
- **LONGLIFE LIFEPO4 battery**
- **Special LED lens** for perfect light distribution
- **Installation Mode** (battery protection, for more details look up page No.28)
- **Intelligent battery charging**
- **DIP Switch** allowing to preset following functions:
 - **INSTALLATION MODE** activation/deactivation (look up page No.28)
 - **Maintained mode** activation/deactivation
- Addressable **CENTRALTEST** communication module (for ATXL and ATRF versions only)
- LEDs indicating presence of power supply and signaling failures & **TEST** button
- **vysoke účinné HighPower LED (170lm/W) so životnosťou min.100000h**
- **progresívna elektronická jednotka**
- **LONGLIFE LIFEPO4 batéria**
- špeciálna LED optika pre perfektnú distribúciu svetla
- **Inštalacný mód** (ochrana batérie, pozri aj str.28)
- **Inteligentné nabíjanie batérie**
- **DIP prepínač** umožňujúci prednastavenie funkcií:
 - **Inštalacný mód** aktivácia / deaktivácia (pozri aj str.28)
 - trvalé núdzové osvetlenie aktivácia / deaktivácia
- adresovateľný **CENTRALTEST** komunikačný modul (len pre ATXL a ATRF verzie)
- signalizácia LED a **TEST** tlačítko

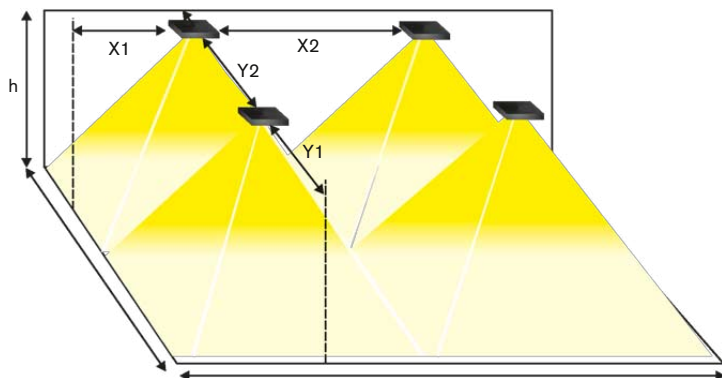


Input Power:
 • 8,8W/ 9,5VA (maintained M/1h)
 • 3,5W/ 4,6VA (non-maintained NM/1h)
 • 4,6W/ 5,2VA (CBS)



Optional Protective Cage
 Priplatková ochranná mreža
 Order Code: 182-B-222-00-00-01

| | |
|-----------------------|------------------------------------------|
| Light source | LED 5000K |
| LED Light output | 450lm |
| Housing colour | RAL9003 White RAL9006 Grey |
| Application | High Ceiling Anti-panic lighting |
| Max room illumination | up to 211m² > 0.5lx |



| 1LX SPACING TABLE / ROZMIESTNENIE PRE 1LX | | | | |
|-------------------------------------------|--------|--------|--------|--------|
| h (m) | X1 (m) | X2 (m) | Y1 (m) | Y2 (m) |
| 4,00 | 5,7 | 13,5 | 5,7 | 13,5 |
| 5,00 | 5,9 | 14,9 | 5,9 | 14,9 |
| 6,00 | 6,0 | 15,9 | 6,0 | 15,9 |
| 7,00 | 5,7 | 16,3 | 5,7 | 16,3 |
| 8,00 | 4,9 | 16,4 | 4,9 | 16,4 |

Page No.18

AUTOTEST -AT NM/M

| Type | Colour | Light Source | Light Flux / Emergency mode | Battery | Order Code | Weight |
|----------------------------|---------------|-----------------|-----------------------------|--------------------|--------------------|--------|
| MULTILED-SPOT2-HCB-P-AT.1h | White / biela | 2xHighPower LED | 450 lm / 450 lm | LiFePo4 6,4V/2,0Ah | 182-B-227-04-00-01 | 1,1 kg |
| MULTILED-SPOT2-HCB-P-AT.1h | Grey / šedá | 2xHighPower LED | 450 lm / 450 lm | LiFePo4 6,4V/2,0Ah | 182-B-227-04-00-02 | 1,1 kg |

DALI SELF-CONTAINED

| Type | Colour | Light Source | Light Flux / Emergency mode | Battery | Order Code | Weight |
|------------------------------|---------------|-----------------|-----------------------------|--------------------|--------------------|--------|
| MULTILED-SPOT2-HCB-P-DALI.1h | White / biela | 2xHighPower LED | 450 lm / 450 lm | LiFePo4 6,4V/2,0Ah | 182-B-243-04-00-01 | 1,1 kg |
| MULTILED-SPOT2-HCB-P-DALI.1h | Grey / šedá | 2xHighPower LED | 450 lm / 450 lm | LiFePo4 6,4V/2,0Ah | 182-B-243-04-00-02 | 1,1 kg |

Page No.22

CENTRALTEST -ATXL ELMAX-LOOK

| Type | Colour | Light Source | Light Flux / Emergency mode | Battery | Order Code | Weight |
|------------------------------|---------------|-----------------|-----------------------------|--------------------|--------------------|--------|
| MULTILED-SPOT2-HCB-P-ATXL.1h | White / biela | 2xHighPower LED | 450 lm / 450 lm | LiFePo4 6,4V/2,0Ah | 182-B-244-04-00-01 | 1,2 kg |
| MULTILED-SPOT2-HCB-P-ATXL.1h | Grey / šedá | 2xHighPower LED | 450 lm / 450 lm | LiFePo4 6,4V/2,0Ah | 182-B-244-04-00-02 | 1,2 kg |

Page No.24

Wireless CENTRALTEST ELMAX-ATRF

| Type | Colour | Light Source | Light Flux / Emergency mode | Battery | Order Code | Weight |
|------------------------------|---------------|-----------------|-----------------------------|--------------------|--------------------|--------|
| MULTILED-SPOT2-HCB-P-ATRF.1h | White / biela | 2xHighPower LED | 450 lm / 450 lm | LiFePo4 6,4V/2,0Ah | 182-B-250-04-00-01 | 1,2 kg |
| MULTILED-SPOT2-HCB-P-ATRF.1h | Grey / šedá | 2xHighPower LED | 450 lm / 450 lm | LiFePo4 6,4V/2,0Ah | 182-B-250-04-00-02 | 1,2 kg |

CENTRAL BATTERY (CBS)

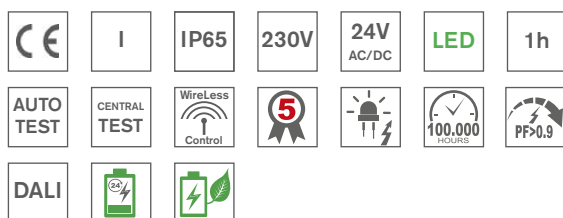
| Type | Colour | Version | Light Source | Light Flux | Order Code | Weight |
|---------------------------------|---------------|---------------------|------------------|------------|--------------------|--------|
| C.LEDLUX-SPOT2-HCB-P/230V AC/DC | White / biela | CBS NON-ADDRESSABLE | 2xHighPower LEDs | 450 lm | 182-B-229-00-00-01 | 0,8 kg |
| C.LEDLUX-SPOT2-HCB-P/230V AC/DC | Grey / šedá | CBS NON-ADDRESSABLE | 2xHighPower LEDs | 450 lm | 182-B-229-00-00-02 | 0,8 kg |
| C.LEDLUX-SPOT2-HCB-P/24V AC/DC | White / biela | CBS NON-ADDRESSABLE | 2xHighPower LEDs | 450 lm | 182-B-230-00-00-01 | 0,8 kg |
| C.LEDLUX-SPOT2-HCB-P/24V AC/DC | Grey / šedá | CBS NON-ADDRESSABLE | 2xHighPower LEDs | 450 lm | 182-B-230-00-00-02 | 0,8 kg |

DALI CENTRAL BATTERY (CBS)

| Type | Colour | Version | Light Source | Light Flux | Order Code | Weight |
|-----------------------------------|---------------|---------------------|------------------|------------|--------------------|--------|
| C.LEDLUX-SPOT2-HCB-P-DALI 230V AC | White / biela | CBS NON-ADDRESSABLE | 2xHighPower LEDs | 450 lm | 182-B-245-00-00-01 | 0,8 kg |
| C.LEDLUX-SPOT2-HCB-P-DALI 230V AC | Grey / šedá | CBS NON-ADDRESSABLE | 2xHighPower LEDs | 450 lm | 182-B-245-00-00-02 | 0,8 kg |

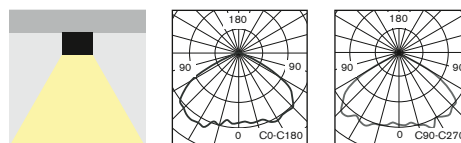


HIGH CEILING >4m



Input Power:

- 8,8W/ 9,5VA (maintained M/1h)
- 3,5W/ 4,6VA (non-maintained NM/1h)
- 4,6W/ 5,2VA (CBS)



- POWERFULL surface mounted anti-panic LED fixture available for all non-maintained (NM), maintained (M) or centralised (C) emergency lighting especially designed for **HIGH CEILING OPEN AREAS where IP65 is required**
- It is available in all following versions:

- **AUTOTEST** (-AT)
- **DALI**
- **CENTRALTEST** (-ATXL) for **ELMAX LOOK** system (look up also page No.22)
- **CENTRALTEST** (-ATRF) for **ELMAX Wireless** system (look up page No.24)
- **CENTRAL BATTERY** (C.LEDLUX-SPOT2) for **non-addressable CBS**
- Conforming to the requirement of EN60598-2-22, EN1838, EN62034
- Design: body made of plastic

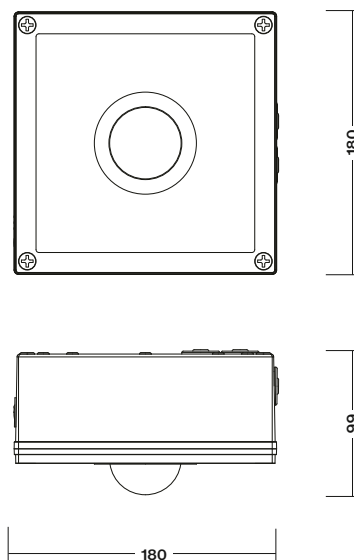
- výkonné anti-panic LED svietidlá pre **netrvalé (NM), trvalé (M)** alebo **centrálne (C)** núdzové osvetlenie pre povrchovú montáž **špeciálne navrhnuté pre aplikácie VO VEĽKÝCH VÝŠKACH** ako napr. výrobné haly, športové haly, sklady,... aj s funkciami:

- **AUTOTEST** (-AT)
- **DALI**
- **CENTRALTEST** (-ATXL) pre systém ELMAX LOOK (pozri str.22)
- **bezdrôtový CENTRALTEST** (-ATRF) pre ELMAX-Wireless systém (str.24)
- **CENTRAL BATTERY** (C.LEDLUX-SPOT2) pre **neadresovateľné CBS**
- spĺňa požiadavky európskej normy EN 60598-2-22, EN1838, EN62034
- konštrukcia: teleso plastu

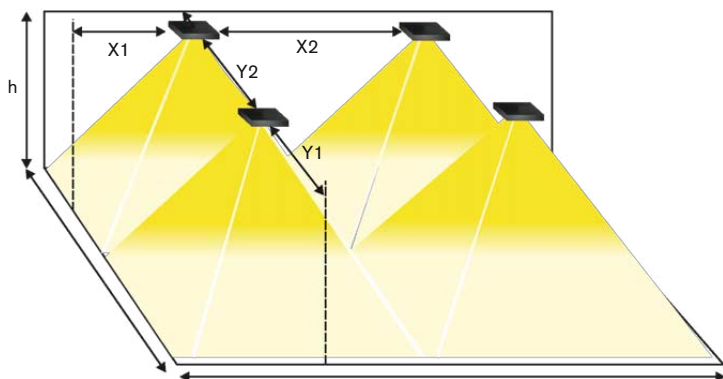
STANDARD FEATURES

STANDARDNÁ VÝBAVA

- **High efficient HighPower (170lm/W) LONGLIFE LEDs (>100.000h)**
- **NEW Advanced Electronics**
- **LONGLIFE LIFEPO4 battery**
- **Special LED lens** for perfect light distribution
- **Installation Mode** (battery protection, for more details look up page No.28)
- **Intelligent battery charging**
- **INSTALLATION MODE** activation/deactivation (look up page No.28)
- Addressable **CENTRALTEST** communication module (for ATXL, ATRF versions only)
- LEDs indicating presence of power supply and signaling failures & TEST button
- **vysoko účinné HighPower LED (170lm/W) so životnosťou min.100000h**
- **progresívna elektronická jednotka**
- **LONGLIFE LIFEPO4 batéria**
- špeciálna LED optika pre perfektnú distribúciu svetla
- **Inštaláčny mód** (ochrana batérie, pozri aj str.28)
- **Inteligentné nabíjanie batérie**
- **Inštaláčny mód** aktivácia / deaktivácia (pozri aj str.28)
- adresovateľný **CENTRALTEST** komunikačný modul (len pre ATXL, ATRF verzie)
- signalizácia LED a TEST tlačítko



| | |
|-----------------------|------------------------------------------|
| Light source | LED 5000K |
| LED Light output | 450lm |
| Housing colour | Light grey plastic |
| Application | High Ceiling Anti-panic lighting |
| Max luminaire spacing | up to 211m² > 0.5lx |



| 1LX SPACING TABLE / ROZMIESTNENIE PRE 1LX | | | | |
|-------------------------------------------|--------|--------|--------|--------|
| h (m) | X1 (m) | X2 (m) | Y1 (m) | Y2 (m) |
| 4,00 | 5,7 | 13,5 | 5,7 | 13,5 |
| 5,00 | 5,9 | 14,9 | 5,9 | 14,9 |
| 6,00 | 6,0 | 15,9 | 6,0 | 15,9 |
| 7,00 | 5,7 | 16,3 | 5,7 | 16,3 |
| 8,00 | 4,9 | 16,4 | 4,9 | 16,4 |

Page No.18

AUTOTEST -AT NM/M

| Type | Light Source | Light Flux / Emergency mode | Battery | Order Code | Weight |
|-------------------------------|-----------------|-----------------------------|--------------------|--------------------|--------|
| LEDLUX-SPOT3-HCB-P-AT.1h IP65 | 2xHighPower LED | 450 lm / 450 lm | LiFePo4 6,4V/2,0Ah | 344-B-407-04-00-00 | 0,8 kg |

DALI SELF-CONTAINED

| Type | Light Source | Light Flux / Emergency mode | Battery | Order Code | Weight |
|---------------------------------|-----------------|-----------------------------|--------------------|--------------------|--------|
| LEDLUX-SPOT3-HCB-P-DALI.1h IP65 | 2xHighPower LED | 450 lm / 450 lm | LiFePo4 6,4V/2,0Ah | 344-B-408-04-00-00 | 0,8 kg |

Page No.22

CENTRALTEST -ATXL ELMAX-LOOK

| Type | Light Source | Light Flux / Emergency mode | Battery | Order Code | Weight |
|---------------------------------|-----------------|-----------------------------|--------------------|--------------------|--------|
| LEDLUX-SPOT3-HCB-P-ATXL.1h IP65 | 2xHighPower LED | 450 lm / 450 lm | LiFePo4 6,4V/2,0Ah | 344-B-409-04-00-00 | 0,8 kg |

Page No.24

Wireless CENTRALTEST ELMAX-ATRF

| Type | Light Source | Light Flux / Emergency mode | Battery | Order Code | Weight |
|---------------------------------|-----------------|-----------------------------|--------------------|--------------------|--------|
| LEDLUX-SPOT3-HCB-P-ATRF.1h IP65 | 2xHighPower LED | 450 lm / 450 lm | LiFePo4 6,4V/2,0Ah | 344-B-414-04-00-00 | 0,8 kg |

CENTRAL BATTERY (CBS)

| Type | Version | Light Source | Light Flux | Order Code | Weight |
|--------------------------------------|---------------------|------------------|------------|--------------------|--------|
| C.LEDLUX-SPOT3-HCB-P IP65 230V AC/DC | CBS NON-ADDRESSABLE | 2xHighPower LEDs | 450 lm | 344-B-410-00-00-00 | 0,7 kg |
| C.LEDLUX-SPOT3-HCB-P IP65 24V AC/DC | CBS NON-ADDRESSABLE | 2xHighPower LEDs | 450 lm | 344-B-411-00-00-00 | 0,7 kg |

DALI CENTRAL BATTERY (CBS)

| Type | Version | Light Source | Light Flux | Order Code | Weight |
|----------------------------------------|---------------------|------------------|------------|--------------------|--------|
| C.LEDLUX-SPOT3-HCB-P-DALI IP65 230V AC | CBS NON-ADDRESSABLE | 2xHighPower LEDs | 450 lm | 344-B-412-00-00-00 | 0,7 kg |

Look up pages No. 190-197 for 1lx Spacing tables
Pozri str.190-197 pre rozmiestnenie svetiel na dosiahnutie 1lx

All LED parameters are describing the light source lm output. For the lighting calculation please use LDT file available on www.sec.sk
LED parametre sú platné pre LED svetelné zdroje samotné. Pre svetelno-technický výpočet použite LDT súbor na www.sec.sk