

• Small and powerful recessed LED or surface-mounted non-maintained (NM), maintained (M) or centralised (C) emergency lighting **especially** designed for 5LUX illumination of **fire fighting equipment such as fire extinguisher or fire hydrant areas**

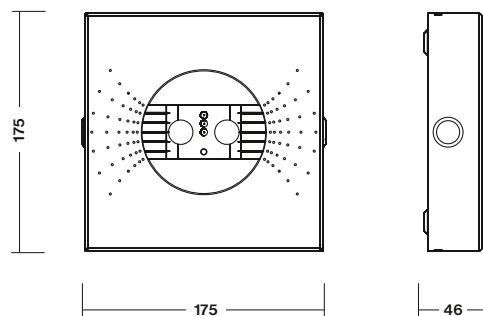
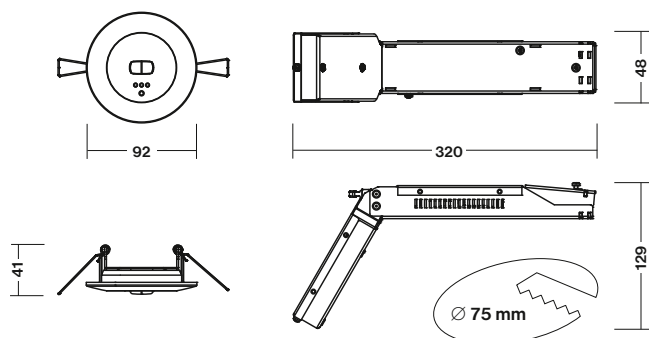
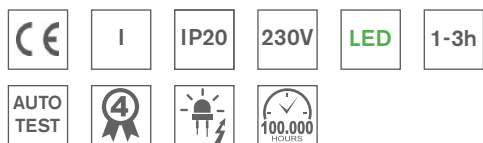
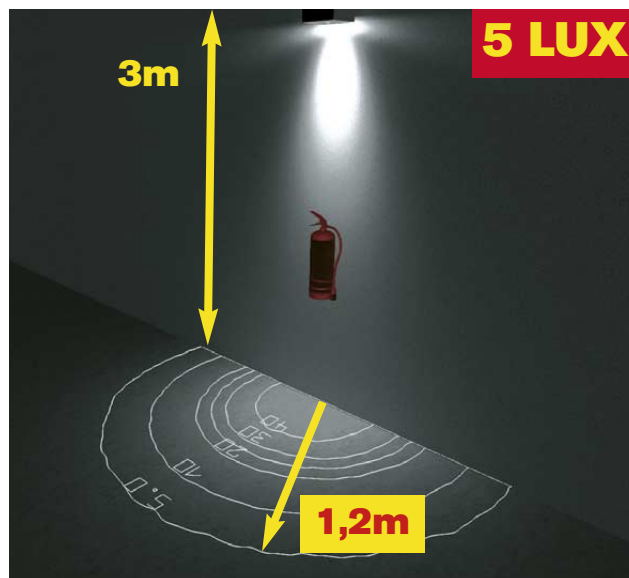
It is available in all following versions:

- **AUTOTEST (-AT)**
- **CENTRAL BATTERY (C.LEDLUX-SPOT)** for **non-addressable CBS**
- Conforming to the requirement of EN60598-2-22, EN1838, EN62034
- Design: metal body in RAL9003 (white)
- výkonné LED svetidlo pre **netrvalé (NM), trvalé (M)** alebo **centrálne (C)** núdzové osvetlenie pre zapustenú alebo prisadenú stropnú montáž **špeciálne určené pre 5LUX osvetlenie hasiacich prístrojov a hydrantov**, aj s funkciami:
 - **AUTOTEST (-AT)**
 - **CENTRAL BATTERY (C.LEDLUX-SPOT)** pre **neadresovateľné CBS**
- spĺňa požiadavky európskej normy EN 60598-2-22, EN1838, EN62034
- konštrukcia: kovové teleso z plastu vo farbe RAL9003 (biela)

STANDARD FEATURES

ŠTANDARDNÁ VÝBAVA

- **High efficient HighPower (170lm/W) LONGLIFE LEDs (>100.000h)**
- **Special SPOT LED lens** for perfect light distribution
- LEDs indicating presence of power supply and signaling failures & TEST button
- **vysoko účinné HighPower LED (170lm/W) so životnosťou min.100000h**
- špeciálna LED SPOT optika pre perfektnú distribúciu svetla
- signalizácia LED a TEST tlačítko



5 LUX



Input Power:

- 8,8W/ 9,5VA (maintained M/1h)
- 3,5W/ 4,6VA (non-maintained NM/1h)
- 4,6W/ 5,2VA (CBS)



Type	Colour	Light Source	Light Flux / Emergency mode	Battery	Order Code	Weight
MULTILED-SPOT2-C-V-AT 2xLED.1h	Recessed	2xHighPower LED	450 lm / 450 lm	LiFePo4 6,4V/1,0Ah	182-B-335-04-00-01	0,5 kg
MULTILED-SPOT2-C-P-AT 2xLED.1h	Surface M.	2xHighPower LED	450 lm / 450 lm	LiFePo4 6,4V/1,0Ah	182-B-248-04-00-01	0,6 kg

Type	Colour	Light Source	Light Flux	Version	Order Code	Weight
C.LEDLUX-SPOT2-C-V 2xLED 230V	Recessed	2xHighPower LED	450 lm	CBS NON-ADDRESSABLE	182-B-336-00-00-01	0,4 kg
C.LEDLUX-SPOT2-C-P 2xLED 230V	Surface M.	2xHighPower LED	450 lm	CBS NON-ADDRESSABLE	182-B-249-00-00-01	0,5 kg