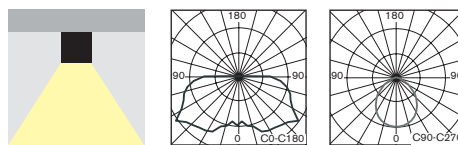
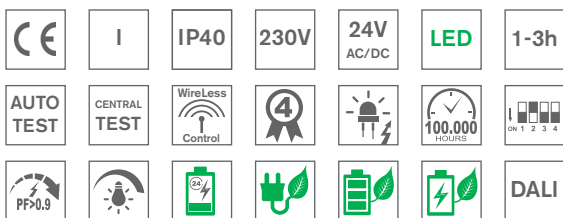


C.EVOLUX2-VP-LED / MULTIEVO2-VP-LED

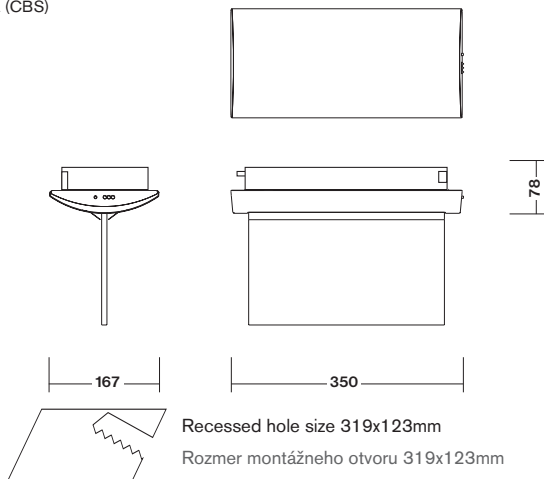


- **NEW Generation** of exquisite design recessed mounted powerful LED equipped fixture with perfect light distribution ready for suspended plexi legend
- Designed for non-maintained/maintained (NM/M) or centralised (C) emergency lighting available in all following versions:
 - **AUTOTEST** (-AT) or **DALI**,
 - **CENTRALTEST** (-ATXL) for ELMAX-Look Mini system (look up also page 166)
 - **CENTRAL BATTERY** (C.EVOLUX2) for **non-addressable CBS** (look up also page No.174)
 - **CENTRAL BATTERY** (-ATXP) for system **ELMAX-PATROLUX Mini & Addressable CBS** (look up also page No.170)
- Conforming to the requirement of EN60598-2-22, EN1838, EN62034
- Design: Anodized AL base & PC impact resistant diffuser
- **NOVÁ generácia** elegantného výkonného LED núdzového svietidla s perfektnou distribúciou svetla pre trvalé/netrvalé (NM/M) alebo (C) centrálné napájané núdzové osvetlenie dostupné vo verziách pre:
 - **AUTOTEST** (-AT) alebo **DALI**,
 - **CENTRALTEST** (-ATXL) pre systém ELMAX-LOOK Mini (pozri str.166)
 - **CENTRAL BATTERY** (C.EVOLUX2) pre **neadresovateľné CBS** (str. 174)
 - **CENTRAL BATTERY** (-ATXP) pre systém **ELMAX-PATROLUX Mini s adresovateľnou CBS** (pozri str. 170)
- spĺňa požiadavky európskej normy EN 60598-2-22, EN1838, EN62034
- konštrukcia: teleso z eloxovaného hliníku a svetelno-činný kryt z nerozbitného PC



Input Power:

- 5,8W/ 6,1VA (maintained M)
- 2,0W/ 3,9VA (non-maintained NM)
- 5,7W/ 6,0VA (CBS)



Recessed hole size 319x123mm
Rozmer montážneho otvoru 319x123mm

STANDARD FEATURES

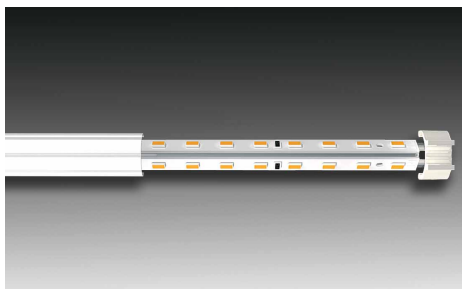
STANDARDNÁ VÝBAVA

- **High efficient (150lm/W) LONGLIFE LEDs 5000K (>100.000h)**
- **NEW Advanced Electronics**
- **LONGLIFE NiMh or LiFePo4 battery**
- **Installation Mode** (battery protection, for more details look up page No.181-183)
- **Intelligent battery charging** (intermittent charging, look up page No.181-183)
- **DIP Switch** allowing to preset following functions:
 - **ECO Mode** (dimming 10%-100%, for more details look up page No.181-183)
 - **ENERGY Saving Mode** (picto illumination 2cd/m² or 200cd/m², look up page 181)
- Special mirror effect reflector
- Addressable CENTRALTEST communication module (for ATXL, ATXP only)
- LEDs indicating both presence of power supply and signaling failures
- TEST button
- **vysoko účinné LED 5000K (150lm/W) so životnosťou min.100000h**
- **progressívna elektronická jednotka**
- **LONGLIFE NiMh alebo LiFePo4 batéria**
- **Inštaláčny mód** (ochrana batérie, pozri aj str.181-183)
- **Inteligentné nabíjanie batérie** ("intermittent" nabíjanie, pozri aj str.181-183)
- **DIP prepínač** umožňujúci prednastavenie funkcií:
 - **ECO Mód** (stmievanie 10%-100%, pozri aj str.181-183)
 - **ENERGY Saving Mód** (osvetlenie pikto na 2cd/m² alebo 200cd/m², pozri aj str.181)
- špeciálny odrazový reflektor so zrkadlovým efektom
- adresovateľný CENTRALTEST komunikačný modul (len pre ATXL, ATXP verzie)
- signalizácia LED a TEST tlačítko

OPTIONAL ACCESSORIES

PRÍPLATKY

- Suspended plexi with double sided or single sided legends (look up page No.194)
- Suspended mounting ceiling brackets (look up page No.194)
- AL cover frame for light beam direction to the plexi with legend (look up page No.194)
- závesné plexi s jednostranným alebo obojstranným piktogramom (pozri str.194)
- stropná závesná konzola (pozri str.194)
- hliníkový rámik pre nasmerovanie svetla len do plexi hrany (pozri str.194)



Most Advanced Twin "V" shaped LED light source for perfect light distribution and high efficiency
Progressívny svetelný zdroj s usporiadaním LED do tvaru "V" s perfektnou distribúciou svetla a vysokou účinnosťou



Optional Suspended Plexi with Legends
Príplatkové závesné plexi s piktogramom (look up also page No.194)



Optional AL cover
Príplatkový hliníkový kryt (look up also page No.194)

C.EVOLUX2-VP-LED / MULTIEVO2-VP-LED

Page No.162

AUTOTEST -AT NM/M

Type	Version	Duration	Light Source	Light Flux / Emergency mode	Battery	Order Code	Weight
MULTIEVO2-VP-AT.1h	NM/M	1h	LED	390 lm / 310 lm	NiMh 4,8V/1,1Ah	290-B-300-01-00-00	1,5 kg
MULTIEVO2-VP-AT.1h	NM/M	1h	LED	390 lm / 310 lm	LiFePo4 6,4V/1,0Ah	290-B-300-04-00-00	1,5 kg
MULTIEVO2-VP-AT.3h	NM/M	3h	LED	390 lm / 310 lm	NiMh 4,8V/3,0Ah	290-B-301-02-00-00	1,6 kg

DALI

Type	Version	Duration	Light Source	Light Flux / Emergency mode	Battery	Order Code	Weight
MULTIEVO2-VP-DALI.3h	NM/M	3h	LED	390 lm / 310 lm	NiMh 6,0V/4,0Ah	290-B-308-02-00-00	1,5 kg

Page No.166

CENTRALTEST -ATXL ELMAX-LOOK

Type	Version	Duration	Light Source	Light Flux / Emergency mode	Battery	Order Code	Weight
MULTIEVO2-VP-ATXL.1h	NM/M	1h	LED	390 lm / 310 lm	NiMh 4,8V/1,1Ah	290-B-302-01-00-00	1,6 kg
MULTIEVO2-VP-ATXL.1h	NM/M	1h	LED	390 lm / 310 lm	LiFePo4 6,4V/1,0Ah	290-B-302-04-00-00	1,6 kg
MULTIEVO2-VP-ATXL.3h	NM/M	3h	LED	390 lm / 310 lm	NiMh 4,8V/3,0Ah	290-B-303-02-00-00	1,7 kg

Page No.168

CENTRALTEST -ATZB ELMAX-WIRELESS

Type	Version	Duration	Light Source	Light Flux / Emergency mode	Battery	Order Code	Weight
MULTIEVO2-VP-ATZB.1h	NM/M	1h	LED	390 lm / 310 lm	NiMh 4,8V/1,1Ah	290-B-308-01-00-00	1,6 kg
MULTIEVO2-VP-ATZB.3h	NM/M	3h	LED	390 lm / 310 lm	NiMh 4,8V/3,0Ah	290-B-309-02-00-00	1,7 kg

Page No.174

CENTRAL BATTERY (CBS)

Type	Version	Light Source	Light Flux	Order Code	Weight
C.EVOLUX2-VP 230V AC/DC	CBS NON-ADDRESSABLE	LED	480 lm	290-B-306-00-00-00	1,2 kg
C.EVOLUX2-VP 24V AC/DC	CBS NON-ADDRESSABLE	LED	480 lm	290-B-307-00-00-00	1,2 kg

Page No.170

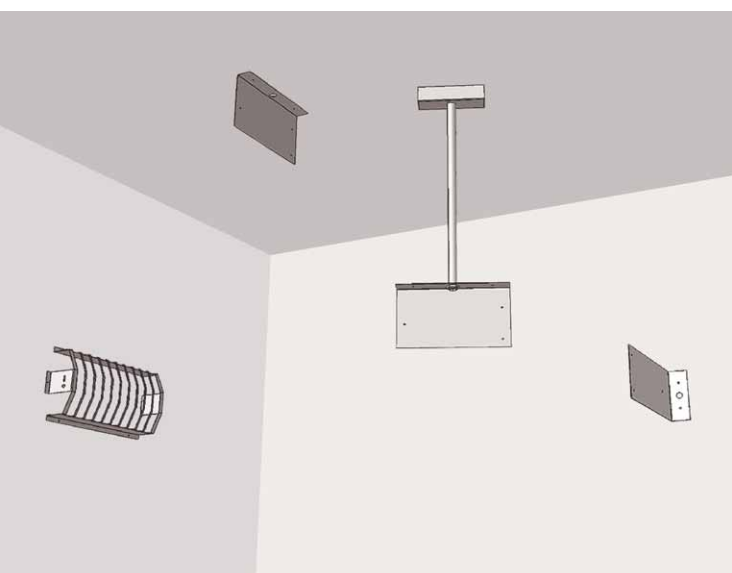
Addressable CENTRAL BATTERY (CBS) -ATXPR ELMAX-PATROLUX

Type	Version	Light Source	Light Flux	Order Code	Weight
C.EVOLUX2-VP-ATXPR 230V AC/DC	ATXPR CBS ADDRESSABLE	LED	480 lm	290-B-304-00-00-00	1,2 kg

Look up pages No. 328-335 for 1lx Spacing tables

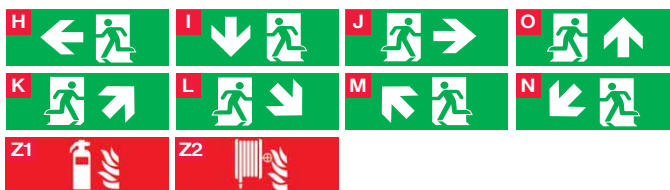
Pozri str. 328-335 pre rozmiestnenie svetidiel na dosiahnutie 1lx

C.EVOLUX2-PP/VP-LED / MULTIEVO2-PP/VP-LED



- Suspended plexi with single or double sided legend complying ISO7010
- Viewing Distance: 34m
- AL cover frame for light beam direction to the plexi with legend
- závesné plexi s jednostranným alebo obojstranným piktogramom podľa ISO7010
- rozoznatelnosť piktogramu: 34m
- hliníkový krycí rámik pre nasmerovanie svetla len do plexi hrany

Optional Item / Príplatok	Order Code / Objednávaci kód
Suspended plexi H/J doublesided / obojstranné	102-B-08-11-01
Suspended plexi I doublesided / obojstranné	102-B-08-10-01
Suspended plexi H singlesided / jednostranné	102-B-08-50-00
Suspended plexi I singlesided / jednostranné	102-B-08-51-00
Suspended plexi J singlesided / jednostranné	102-B-08-52-00
Suspended plexi O singlesided / jednostranné	102-B-08-49-00
Suspended plexi O doublesided / obojstranné	102-B-08-47-00
Suspended plexi K/M doublesided / obojstranné	102-B-08-41-01
Suspended plexi L/N doublesided / obojstranné	102-B-08-42-01
Suspended plexi K singlesided / jednostranné	102-B-08-53-00
Suspended plexi L singlesided / jednostranné	102-B-08-54-00
Suspended plexi M singlesided / jednostranné	102-B-08-55-00
Suspended plexi N singlesided / jednostranné	102-B-08-56-00
Suspended plexi Z1 singlesided / jednostranné	102-B-00-57-00
Suspended plexi Z1 doublesided / obojstranné	102-B-00-58-00
Suspended plexi Z2 singlesided / jednostranné	102-B-00-59-00
Suspended plexi Z2 doublesided / obojstranné	102-B-00-60-00
AL cover frame / krycí rámik	102-B-00-27-00



Options:

- Wall /Pendant mounting bracket

Príplatky:

- nástenná / závesná konzola

Optional Item Príplatok	Order Code Objednávaci kód
Wall mounting bracket / nástenná konzola RAL9003	102-B-01-09-01
Ceiling mounting bracket / stropná konzola RAL9003	102-B-01-08-01
Pendant bracket 0,5m / závesná konzola 0,5m RAL9003	102-B-28-02-00
Pendant bracket 0,7m / závesná konzola 0,7m RAL9003	102-B-28-05-00
Pendant bracket 0,7m / závesná konzola 0,7m RAL9006	102-B-28-05-01
Pendant bracket 0,75m / závesná konzola 0,75m RAL9006	102-B-28-08-00
Pendant bracket 1,0m / závesná konzola 1,0m RAL9003	102-B-28-03-00
Pendant bracket 1,5m / závesná konzola 1,5m RAL9003	102-B-28-04-00
Pendant bracket 2,25m /závesná konzola 2,25m RAL9003	102-B-28-07-00
Pendant bracket 2,75m /závesná konzola 2,75m RAL9006	102-B-28-11-00
Pendant bracket 3m /závesná konzola 3m RAL9006	102-B-28-10-00
Pendant bracket 3,5m /závesná konzola 3,5m RAL9006	102-B-28-12-00

C.EVOLUX2-PP/VP-LED / MULTIEVO2-PP/VP-LED

Shopping area emergency lighting application

